

TKS-16 SERIES COFFEE GRINDING MACHINE



TKS 16S

TKS 16F

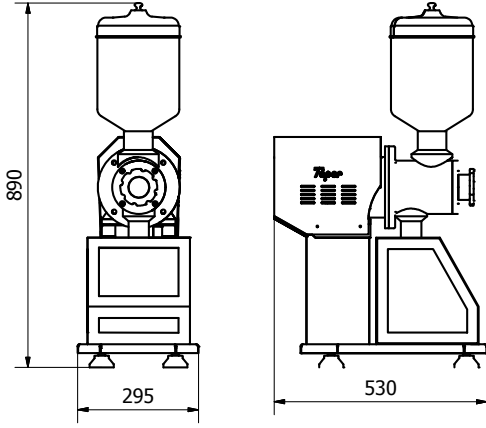
TKS 16W

TKS 16X

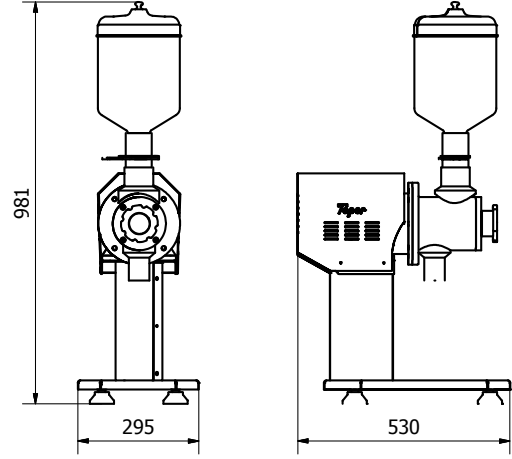
Product name	TKS 16
Product type	Coffee Grinder
Short name	TKS 16
Sale per indivisible quantity:	1
Conformities	MD 2006/42/EC, LVD 2006/95/EC EN 291-1:1991, EN 292-2:1995, EN 294:1992, EN 6020-1:1997, EN 1050:1996
Product dimension (w*i*h) mm	295 x 530 x 890
Product weight: kg	38
Voltage information	110 - 220 - 380 - 415 V (SINGLE OR TREE PHASE)
Electrical consumption	2,2 KW - 12 AMPER
Disc type	Stainless steel
Disc position	Ø 100 mm
Disc diameter	Vertical
Products that can be used:	Coffee Black pepper Sesame, nuts, Poppe seeds Lentil, Wheat Rice



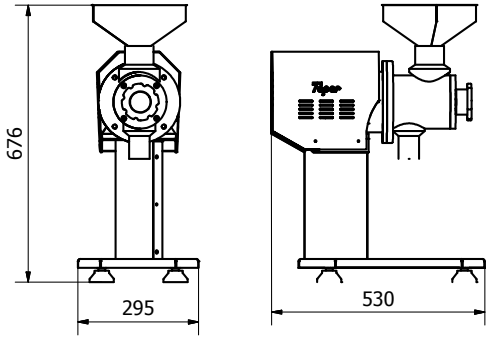
RAL and other color charts are available for coloring



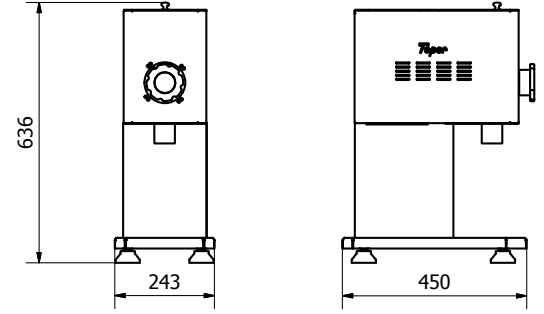
TKS 16S



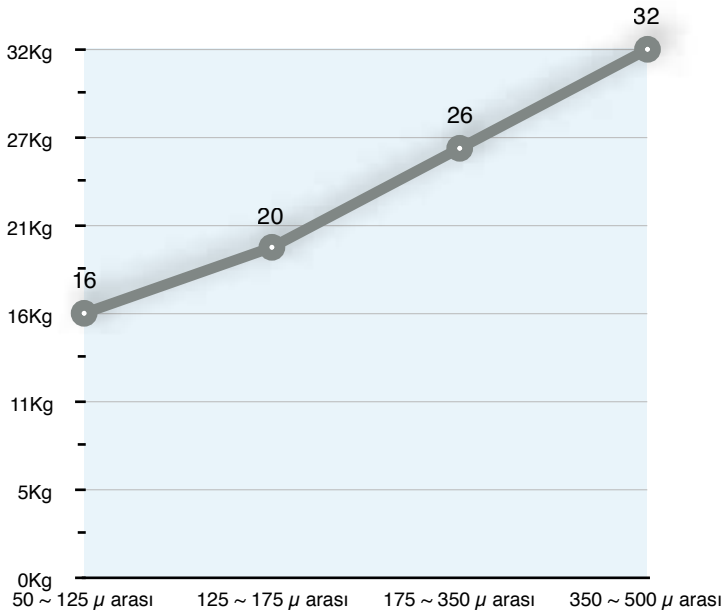
TKS 16F



TKS 16W



TKS 16X



Hourly capacity per grinding range

Grinding range	KG/Hourly capacity
50 ~ 125 μ	16
125 ~ 175 μ	20
175 ~ 350 μ	26
350 ~ 500 μ	32

